

VRLA Rechargeable Battery

MPL80-12 Handle Type



FEATURES

- Maintenance free(no water topping-up required)
- No free acid(Non-spillable battery)
- Can be used in any orientation(excluding used inverted)
- The battery is designed with very lower resistance and exceeding high power performance.
- Carry handles for easy installation
- Absorbent Glass Mat technology for efficient gas recombination


APPLICATIONS

- UPS
- Telecom
- Golf-Carts
- Cable TV
- Power station
- Marine




SPECIFICATIONS

Nominal Voltage	12 V
Nominal Capacity	80Ah @ 20 hour rate F.V.(1.75V/cell)
Approx. Weight	26Kg(57.3lbs.)
Terminals	B5 (Fitting M6 bolt & nut) I2 is optional
Internal Resistance	≤4mΩ (Fully Charged)
Max. Charge Current	23.4 A
Cold Cranking Amp @ -18°C	700 A
Short Circuit Current	2300 A
Operating Temperature Range	Charge 0°C~50°C(32°F~122°F) Discharge -20°C~60°C(-4°F~140°F) Storage. -20°C~50°C(-4°F~122°F)
Container Material	Standard: PP(UL94 HB) MPL80-12 Optional: Flame Retardant PP(UL94 V-0) MPL80-12FR

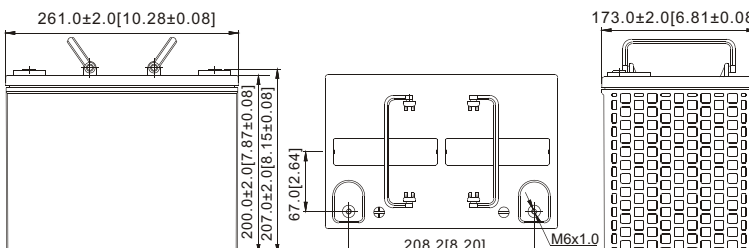
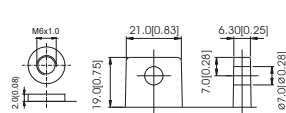


MH19884



C4M20310-2474-E-16

- IEC60896-21/22
- JIS C 8704-2
- GB/T 19638.2

DIMENSION(mm/inch)	OUTER DIMENSIONS	TERMINAL TYPE
<ul style="list-style-type: none"> ■ Length 261±2.0 (10.28±0.08) ■ Width 173±2.0 (6.81±0.08) ■ Container Height 200±2.0 (7.87±0.08) ■ Total Height B5:224±2.0(8.82±0.08) I2:207±2.0 (8.15±0.08) 		<ul style="list-style-type: none"> ● Terminal I2 ● Terminal B5  <p>Terminal Hardware Initial Torque: B5,I2(5.5Nm±5%)</p>

Constant power discharge characteristics at 25 °C/77 °F Unit: W

Discharge Time F.V. (V/cell)	5 Min	10 Min	15 Min	20 Min	25 Min	30 Min	40 Min	50 Min	60 Min	90 Min
1.80V	2771	2036	1692	1413	1225	1075	864	727	629	447
1.75V	3105	2184	1790	1468	1263	1104	883	743	640	455
1.70V	3312	2277	1847	1505	1287	1121	896	752	648	460
1.65V	3450	2348	1891	1535	1307	1134	907	759	654	464
1.60V	3549	2391	1920	1556	1324	1145	916	765	659	467

Constant current discharge characteristics at 25 °C/77 °F Unit: A

Discharge Time F.V. (V/cell)	5 Min	10 Min	15 Min	20 Min	25 Min	30 Min	40 Min	50 Min	60 Min	90 Min
1.80V	258	179	147	121	103	90	72	61	52.9	37.7
1.75V	283	193	155	126	108	93	74	62	53.8	38.3
1.70V	301	201	160	129	111	95	75	63	54.4	38.7
1.65V	313	207	164	132	112	96	76	64	54.9	39.0
1.60V	323	211	167	134	113	97	77	64	55.3	39.3

All data and artworks shall be changed without prior notice, BB reserves the right to explain and update the information contained hereinto.