



VRLA Rechargeable Battery

BP8-12



FEATURES

- Maintenance Free (topping up not needed)
- Non-spillable (no free electrolyte)
- Low Self Discharge, less than 3% per month
- both Vertical & Horizontal installations


APPLICATIONS

- UPS
- Laboratory Equipment
- Toy-Cars
- Power Packs
- Fishing Lights




SPECIFICATIONS

Nominal Voltage	12 V
Nominal Capacity	8.0Ah @ 20 hour rate F.V.(1.75V/cell)
Approx. Weight	2650g(5.84lbs.)
Terminals	T2 (Faston Tab 250) T1 is optional
Internal Resistance	≤25mΩ (Fully Charged)
Max. Discharge Current	120 A (5 sec.)
Max. Charge Current	2.4 A
Operating Temperature Range	Charge: 0°C~40°C(32°F~104°F) Discharge: -20°C~50°C(-4°F~122°F) Storage: -20°C~40°C(-4°F~104°F)
Container Material	Standard: ABS(UL94 HB) BP8-12 Optional: Flame Retardant ABS(UL94 V-0) BP8-12FR

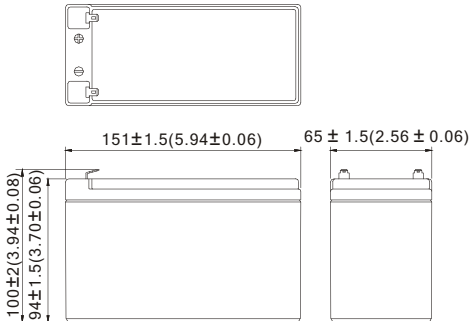
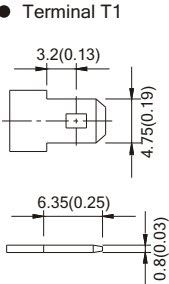
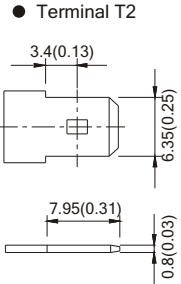


MH19884



C4M20310-2474-E-16

- IEC 61056-1
- JIS C 8702-1
- GB/T 19639.1

DIMENSION(mm/inch)	OUTER DIMENSIONS	TERMINAL TYPE
<ul style="list-style-type: none"> ■ Length 151±1.5 (5.94±0.06) ■ Width 65±1.5 (2.56±0.06) ■ Container Height 94±1.5 (3.70±0.06) ■ Total Height 100±2.0 (3.94±0.08) 		<ul style="list-style-type: none"> ● Terminal T1  ● Terminal T2 

Constant power discharge characteristics at 25 °C/77 °F Unit: W

F.V. (V/cell) \ Discharge Time	5 Min	10 Min	15 Min	30 Min	1 Hr	3 Hr	5 Hr	10 Hr	20 Hr
1.80V	289	213	171	101.5	58.2	23.3	16.08	8.99	4.73
1.75V	335	231	178	105.4	60.0	23.8	16.32	9.12	4.80
1.70V	356	239	184	107.8	61.0	24.0	16.41	9.17	4.82
1.65V	372	245	188	109.3	61.8	24.2	16.47	9.19	4.84
1.60V	384	250	192	110.4	62.4	24.3	16.52	9.19	4.84

Constant current discharge characteristics at 25 °C/77 °F Unit: A

F.V. (V/cell) \ Discharge Time	5 Min	10 Min	15 Min	30 Min	1 Hr	3 Hr	5 Hr	10 Hr	20 Hr
1.80V	26.1	18.7	14.8	8.60	4.89	1.94	1.340	0.749	0.394
1.75V	30.7	20.3	15.5	8.93	5.04	1.98	1.360	0.760	0.400
1.70V	32.6	21.0	16.0	9.14	5.13	2.00	1.367	0.764	0.402
1.65V	34.1	21.5	16.4	9.26	5.19	2.01	1.372	0.766	0.403
1.60V	35.2	22.0	16.7	9.36	5.24	2.03	1.376	0.766	0.403

All data and artworks shall be changed without prior notice, BB reserves the right to explain and update the information contained hereinto.